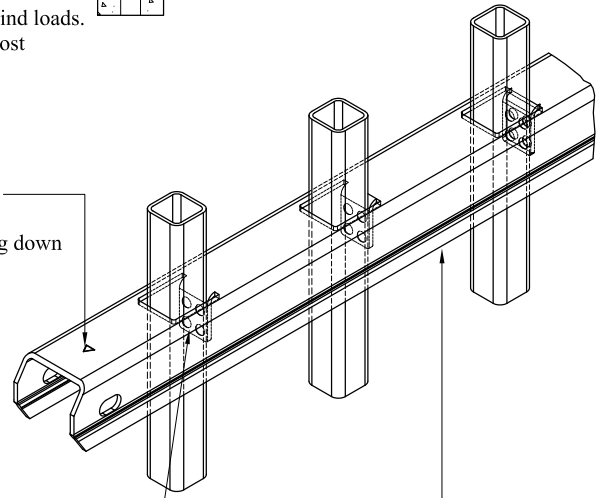


NOTES:

- 1.) Post size depends on fence height and wind loads. See MONTAGE II™ specifications for post sizing chart and dimensions.
- 2.) Third & Fourth rail optional.
- 3.) Available in Flush Bottom.

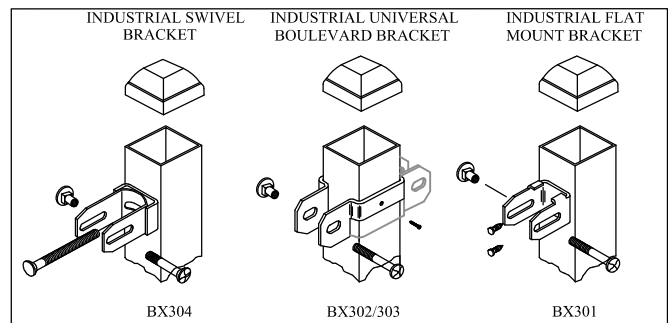
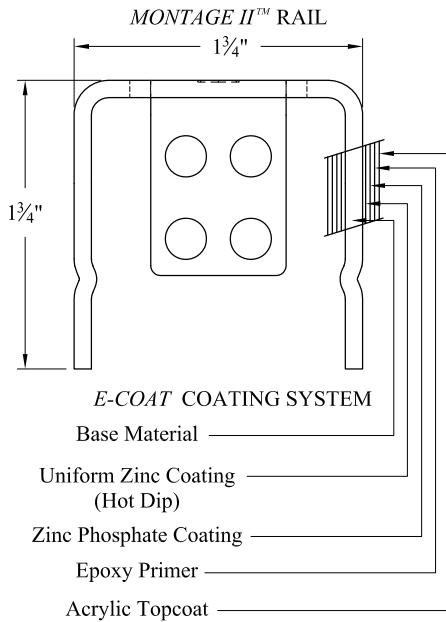
RAKING DIRECTIONAL ARROW
Welded panel can be raked 30" over 8' with arrow pointing down grade.



PROFUSION™ WELDING PROCESS

No exposed welds,
Good Neighbor profile - Same appearance on both sides

MONTAGE II™ RAIL
Specially formed high strength architectural shape.



Values shown are nominal and not to be used for installation purposes. See product specification for installation requirements.

2HMISO

HEAVY INDUSTRIAL STRENGTH WELDED STEEL PANEL

PRE-ASSEMBLED

Title: **MONTAGE II MAJESTIC 2/3/4-RAIL**

DR: RTM SH . 1 of 1 SCALE: DO NOT SCALE

CK: ME Date 6/28/10 REV: b

Ameristar Montage II Majestic Fence

Distributed by:

Ornamental Fence Supply, LLC

Big Rock, IL Phone: 800-448-1293

www.ornamentalfencesupply.com