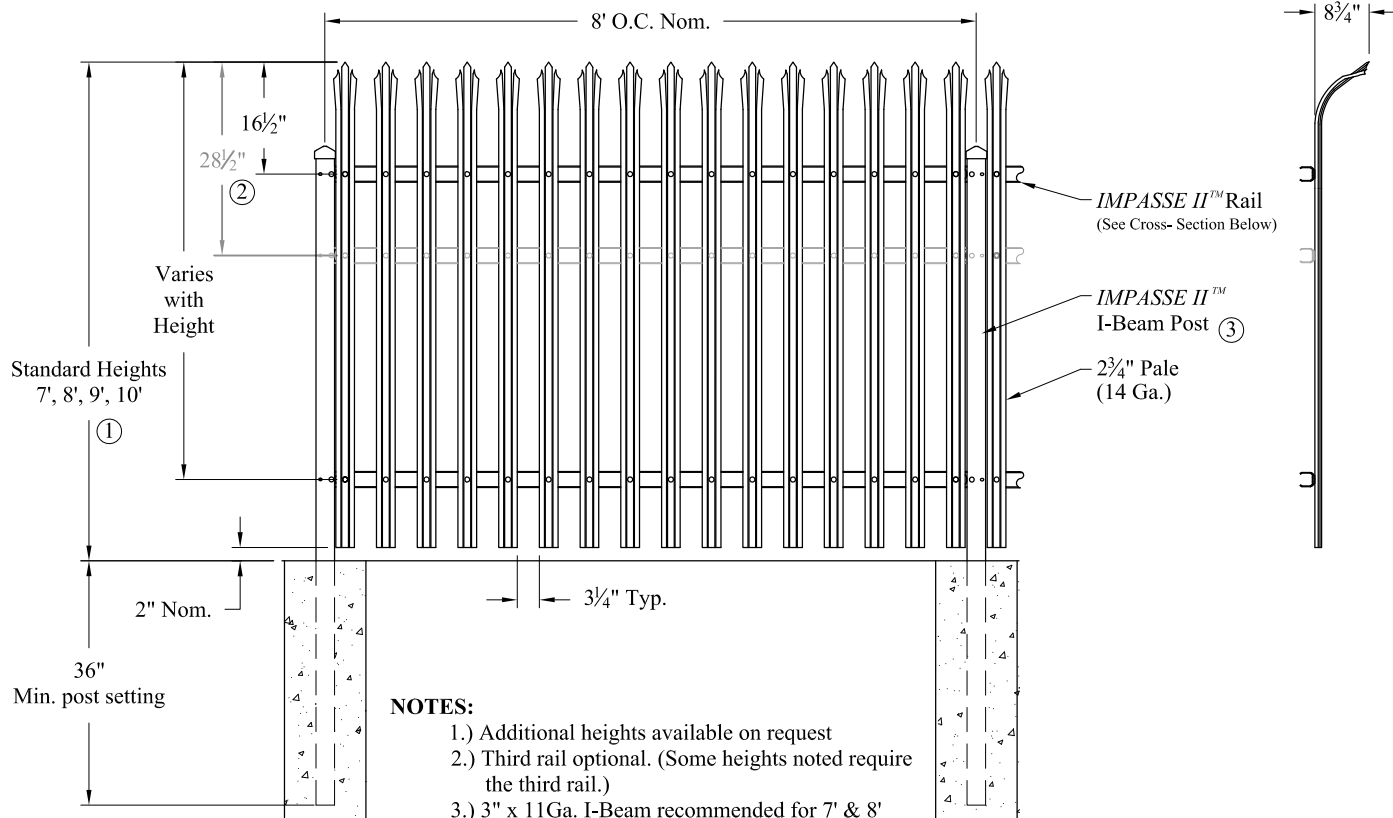
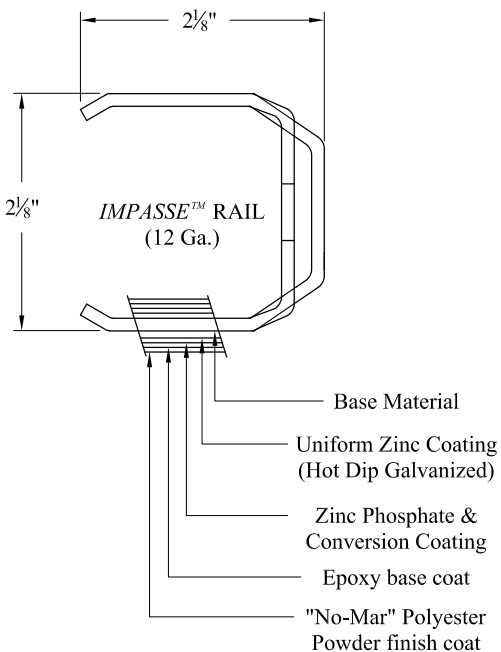


Values shown are nominal and not to be used for installation purposes. See product specification for installation requirements.



**NOTES:**

- 1.) Additional heights available on request
- 2.) Third rail optional. (Some heights noted require the third rail.)
- 3.) 3" x 11Ga. I-Beam recommended for 7' & 8' heights. 4" x 11Ga. I-Beam recommended for 9' & 10' heights.

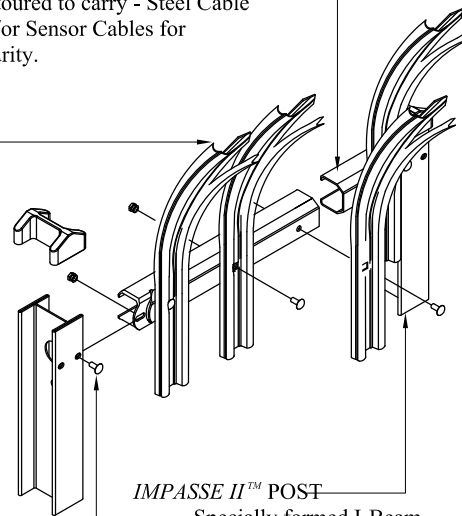


**IMPASSE II™ RAIL**

Specially formed high strength architectural shape; lower lip contoured to carry - Steel Cable and/or Sensor Cables for security.

**IMPASSE II™ PALE**

Specially formed high strength corrugated shape; resists prying or bending; bolt holes recessed to prevent chiselling of bolt head.



**IMPASSE II™ POST**

Specially formed I-Beam, pre-punched for multiple rail options.

**SECURITY FASTENER**

Stainless steel security nut prevents tampering or removal by normal tools.

**HIGH SECURITY STEEL FENCE**

Title: **IMPASSE II GAUNTLET 2/3-RAIL**

DR: CI	SH . 1 of 1	SCALE: DO NOT SCALE
CK: BS	Date 11/4/11	REV: a

Ameristar Impasse II Gauntlet Fence  
 Distributed by:  
 Ornamental Fence Supply, LLC  
 Big Rock, IL Phone: 800-448-1293

www.ornamentalfencesupply.com