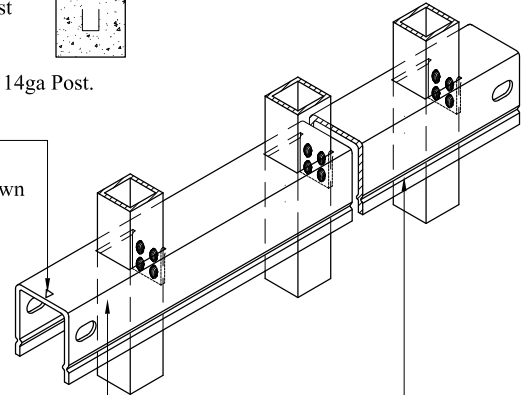


**NOTES:**

- 1.) Post size depends on fence height and wind loads. See MONTAGE PLUS™ specifications for post sizing chart.
- 2.) Forth rail optional.
- 3.) 7' & 8' Heights will require a 14ga Picket and 14ga Post.

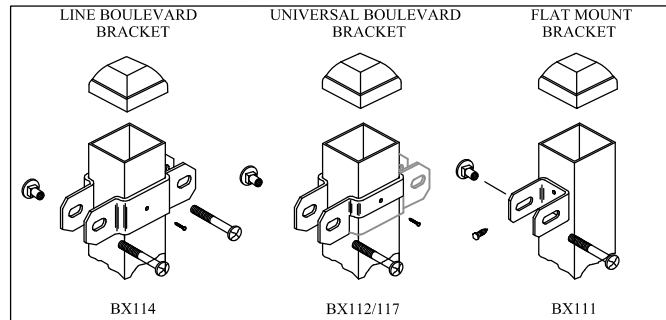
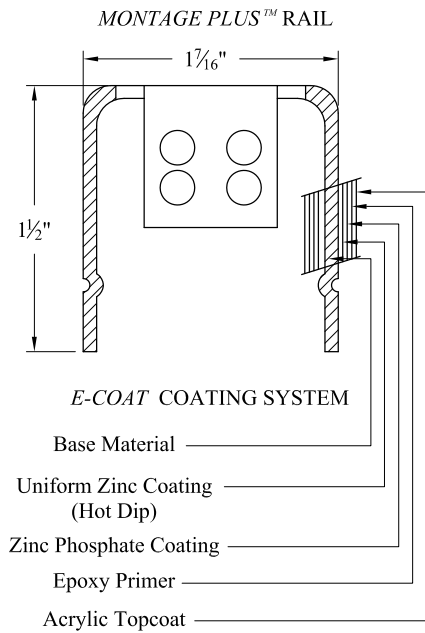
**RAKING DIRECTIONAL ARROW**  
 Welded panel can be raked 30" over 8' with arrow pointing down grade.



**PROFUSION™ WELDING PROCESS**

No exposed welds,  
 Good Neighbor profile - Same appearance on both sides

**MONTAGE PLUS RAIL**  
 Specially formed high strength architectural shape.



**COMMERCIAL STRENGTH WELDED STEEL PANEL**  
**PRE-ASSEMBLED**

Values shown are nominal and not to be used for installation purposes. See product specification for installation requirements.

1RMISO7-8

Title: **MONTAGE COMMERCIAL MAJESTIC 3/4-RAIL**

Ameristar Montage Commercial Majestic Fence

DR: NJB SH . 1 of 1 SCALE: DO NOT SCALE

Distributed by:

CK: BS Date 09/21/11

REV: d

Ornamental Fence Supply, LLC

Big Rock, IL Phone: 800-448-1293

www.ornamentalfencesupply.com