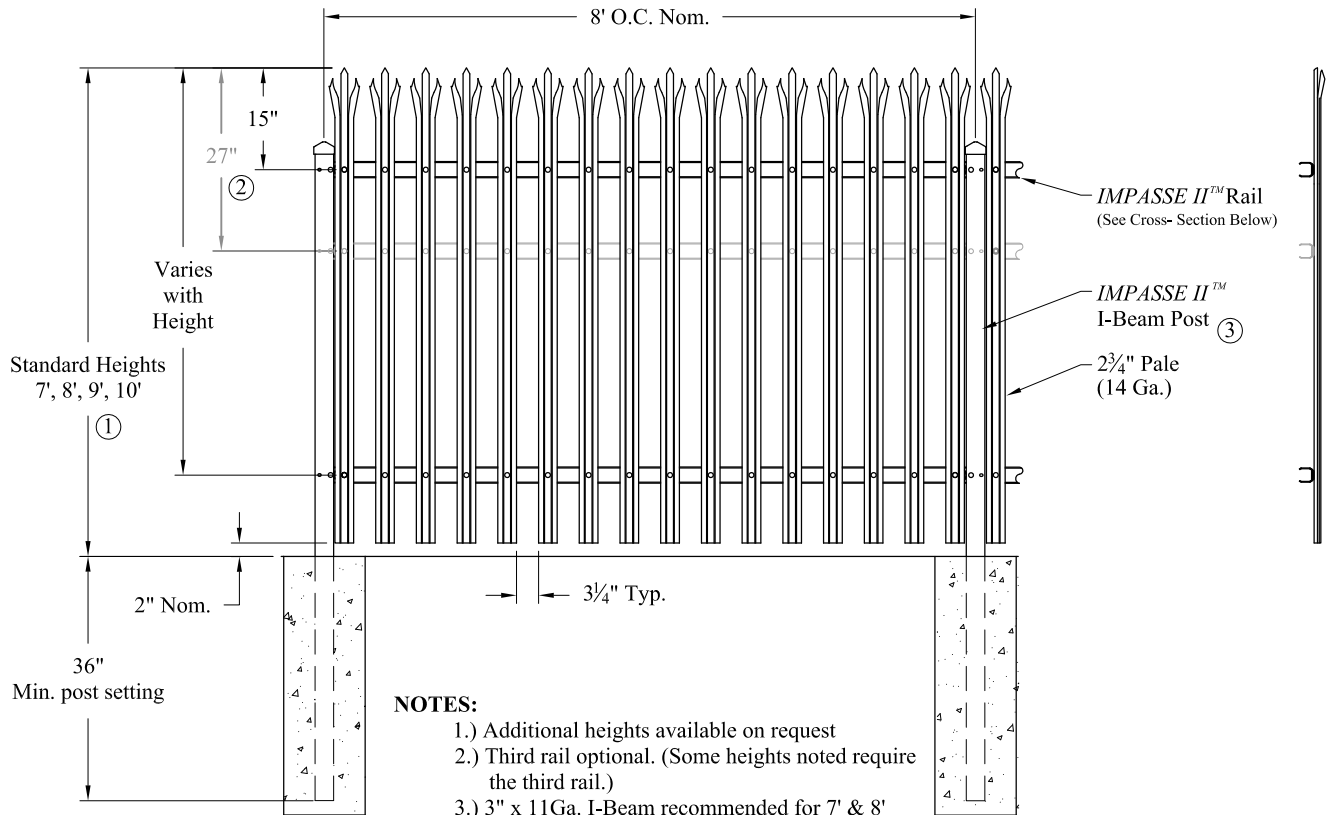
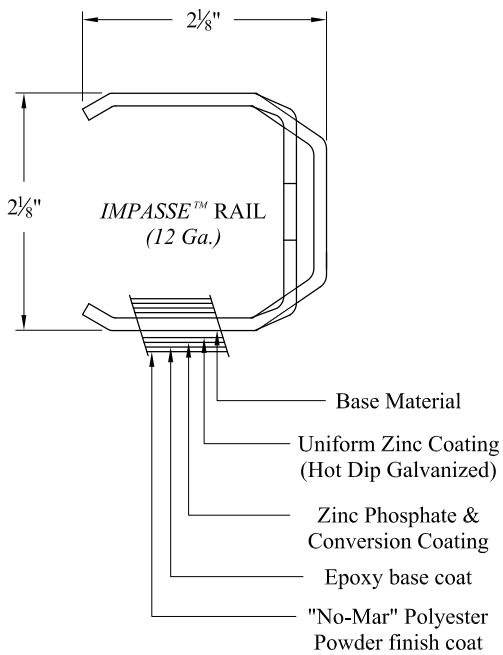


Values shown are nominal and not to be used for installation purposes. See product specification for installation requirements.



NOTES:

- 1.) Additional heights available on request
- 2.) Third rail optional. (Some heights noted require the third rail.)
- 3.) 3" x 11Ga. I-Beam recommended for 7' & 8' heights. 4" x 11Ga. I-Beam recommended for 9' & 10' heights.

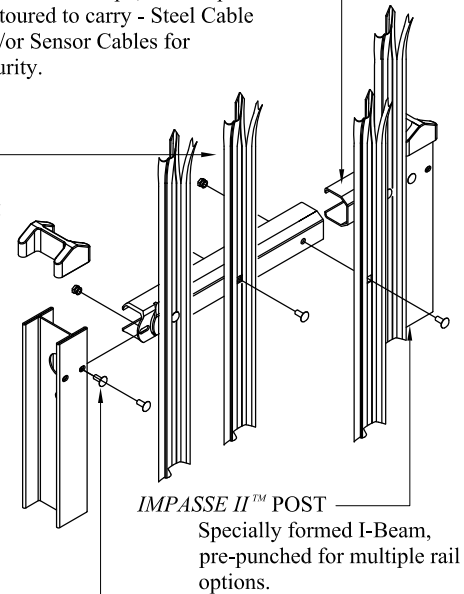


IMPASSE II™ RAIL

Specially formed high strength architectural shape; lower lip contoured to carry - Steel Cable and/or Sensor Cables for security.

IMPASSE II™ PALE

Specially formed high strength corrugated shape; resists prying or bending; bolt holes recessed to prevent chiselling of bolt head.



HIGH SECURITY STEEL FENCE

Title: IMPASSE II TRIDENT 2/3-RAIL			
DR: CI	SH . 1 of 1	SCALE: DO NOT SCALE	
CK: BS	Date 11/4/11	REV: a	

Ameristar Impasse II Trident Fence
Distributed by:
Ornamental Fence Supply, LLC
Big Rock, IL Phone: 800-448-1293

www.ornamentalfencesupply.com